

S100US SERIES From 10 to 100Watt

LED TECHNICAL DATA

- Typical Luminous Flu&Effience @700mA;
- 130lm@25°C
- Max Junction Temperature:
- 150°C
- Color Temperature:
- 3500K-6500K
- LED life Cycle
- 50,000 hrs.



LUMINAIRE TECHNICAL DATA

- LED light source :
- 5pcs Philips Rebel(10W)
- 10pcs Philips Rebel (20W)
- 15pcs Philips Rebel (30W)
- 24pcs Philips Rebel (50W)
- 40pcs Philips Rebel (80-100W)
- Housing Material :
- Die Cast Aluminum withdurable polyester powder coating
- Operating Temperature :
- -30°C~+45°C
- Power Dirver:
- AC:100~295Vac 50/60Hz
- Classification :
- IP66 Class II
- Protection:
- Built-in external SPD
- Ground mounting uplighting



COMPLIANCE STANDARD

- Driver:
- UL/CUL,CE,EN55015,EN61000,EN61457
- Luminaire:
- LM79,EN 60598-1,EN60598-2-3 , EN62471,EN62493,EN61000-3,EN61547

APPLICATION

- Build Facades
- Landscape
- Commercial Areas
- Residential Areas

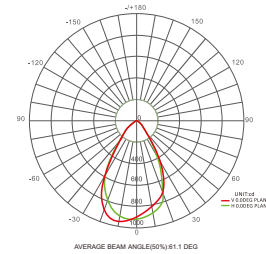
ORDER CODE

- TSL-S100US- 10W
- TSL-S100US-20W
- TSL-S100US-30W
- TSL-S100US-50W
- TSL-S100US-80W
- TSL-S100US-100W

*Please indicate color temperature when ordering.

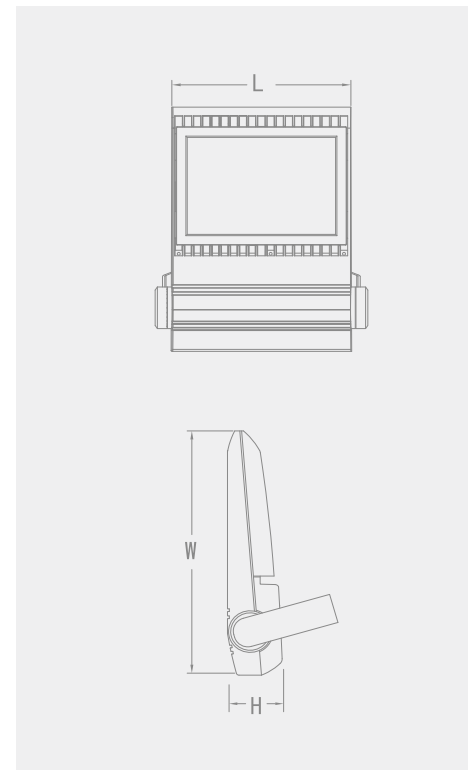
PHOTOMETRIC

LIGHT DISTRIBUTION CURVE



DIMENSIONS

Code	Luminous Flux	L * W * H(mm)
S100US-10	850LM	151*143*45
S100US-20	1900LM	205*219*49
S100US-30	2900LM	205*219*49
S100US-50	4900LM	241*287*62
S100US-80	7700LM	290*333*66
S100US-100	10200LM	290*333*66



Note: Specifications are subject to change without prior notice.

